

## DJxx-SFP-LC.S40 series

**SFP+ Single-Mode for DWDM Application**  
**Duplex SFP+ Transceiver**  
**Digital Diagnostic Function**  
**0.6~10Gb/s CPRI/OBSAI**  
**RoHS6 Compliant**



### Features

- ◆ Available in all C-Band Wavelengths on the 100GHz DWDM ITU Grid
- ◆ Temperature-Stabilized DWDM EML Transmitter
- ◆ Duplex LC Connector
- ◆ Power Dissipation (0°C to 70°C) < 1.5W
- ◆ Dispersion tolerance from -300ps/nm to 800ps/nm
- ◆ Hot-Pluggable SFP+ Footprint
- ◆ Compliant with SFF-8431 MSA
- ◆ Compliant with SFF-8432 MSA
- ◆ Operating Case Temperature  
Standard: 0°C to 70°C

### Applications

- ◆ 10GBASE-ER/EW
- ◆ 10G FC
- ◆ OBSAI rates 6.144 Gb/s, 3.072 Gb/s, 1.536 Gb/s, 0.768Gb/s
- ◆ CPRI rates 9.830 Gb/s, 7.373Gb/s, 6.144 Gb/s, 4.915 Gb/s, 2.458 Gb/s, 1.229 Gb/s, 0.614Gb/s
- ◆ Other optical links

### Ordering Information

Part No.	Data Rate	Laser	Power budget <sup>*(note2)</sup>	CDR	Case Temperature
DJxx-SFP-LC.S40 <sup>*(note1)</sup>	0.6Gbps to 11.3Gbps	DWDM EML	14dB	NO	Standard

Note1: XX refers to DWDM Wavelength channel as ITU-T specified, please refer the following table for detailed center wavelength information.

\*The product image only for reference purpose.

XX- Channel refers to the following table:

*Channel (X)	Part NO.	Frequency (THz)	Center Wavelength (nm)
17	DJ17-SFP-LC.S40	191.7	1563.86
18	DJ18-SFP-LC.S40	191.8	1563.05
19	DJ19-SFP-LC.S40	191.9	1562.23
20	DJ20-SFP-LC.S40	192.0	1561.42
21	DJ21-SFP-LC.S40	192.1	1560.61
22	DJ22-SFP-LC.S40	192.2	1559.79
23	DJ23-SFP-LC.S40	192.3	1558.98
24	DJ24-SFP-LC.S40	192.4	1558.17
25	DJ25-SFP-LC.S40	192.5	1557.36
26	DJ26-SFP-LC.S40	192.6	1556.55
27	DJ27-SFP-LC.S40	192.7	1555.75
28	DJ28-SFP-LC.S40	192.8	1554.94
29	DJ29-SFP-LC.S40	192.9	1554.13
30	DJ30-SFP-LC.S40	193.0	1553.33
31	DJ31-SFP-LC.S40	193.1	1552.52
32	DJ32-SFP-LC.S40	193.2	1551.72
33	DJ33-SFP-LC.S40	193.3	1550.92
34	DJ34-SFP-LC.S40	193.4	1550.12
35	DJ35-SFP-LC.S40	193.5	1549.32
36	DJ36-SFP-LC.S40	193.6	1548.51
37	DJ37-SFP-LC.S40	193.7	1547.72
38	DJ38-SFP-LC.S40	193.8	1546.92
39	DJ39-SFP-LC.S40	193.9	1546.12
40	DJ40-SFP-LC.S40	194.0	1545.32
41	DJ41-SFP-LC.S40	194.1	1544.53
42	DJ42-SFP-LC.S40	194.2	1543.73
43	DJ43-SFP-LC.S40	194.3	1542.94
44	DJ44-SFP-LC.S40	194.4	1542.14
45	DJ45-SFP-LC.S40	194.5	1541.35
46	DJ46-SFP-LC.S40	194.6	1540.56
47	DJ47-SFP-LC.S40	194.7	1539.77
48	DJ48-SFP-LC.S40	194.8	1538.98
49	DJ49-SFP-LC.S40	194.9	1538.19
50	DJ50-SFP-LC.S40	195.0	1537.40
51	DJ51-SFP-LC.S40	195.1	1536.61
52	DJ52-SFP-LC.S40	195.2	1535.82
53	DJ53-SFP-LC.S40	195.3	1535.04
54	DJ54-SFP-LC.S40	195.4	1534.25
55	DJ55-SFP-LC.S40	195.5	1533.47
56	DJ56-SFP-LC.S40	195.6	1532.68

57	DJ57-SFP-LC.S40	195.7	1531.90
58	DJ58-SFP-LC.S40	195.8	1531.12
59	DJ59-SFP-LC.S40	195.9	1530.33
60	DJ60-SFP-LC.S40	196.0	1529.55
61	DJ61-SFP-LC.S40	196.1	1528.77

\*Note2: Please contact with Data Controls Inc. for the channel availability.

### Regulatory Compliance <sup>\*Note3</sup>

Product Certificate	Certificate Number	Applicable Standard
TUV	R50135086	EN 60950-1:2006+A11+A1+A12+A2
		EN 60825-1:2014
		EN 60825-2:2004+A1+A2
UL	E317337	UL 60950-1
		CSA C22.2 No. 60950-1-07
EMC CE	AE 50285865 0001	EN 55022:2010
		EN 55024:2010
FCC	WTF14F0514417E	47 CFR PART 15 OCT., 2013
FDA	/	CDRH 1040.10
ROHS	/	2011/65/EU

Note3: The above certificate number updated to June 2014, because some certificate will be updated every year, such as FDA and ROHS. For the latest certification information, please check with Data Controls Inc.

### Product Description

The DJxx-SFP-LC.S40 series single mode transceiver is small form factor pluggable module for duplex optical data communications. This module is designed for single mode fiber and operates at a nominal DWDM wavelength from 1528nm to 1566nm as specified by the ITU-T. It is designed to deploy in the DWDM networking equipment in metropolitan access and core networks.

It is with the SFP+ 20-pin connector to allow hot plug capability. The transmitter section uses a DWDM EML laser and is a class 1 laser compliant according to International Safety Standard IEC-60825. The receiver section uses a PIN detector and a limiting post-amplifier IC.

The DJxx-SFP-LC.S40 series are designed to be compliant with SFP+ Multi-Source Agreement (MSA) Specification SFF-8431.

**Absolute Maximum Ratings**

Parameter	Symbol	Min.	Max.	Unit
Storage Temperature	T <sub>s</sub>	-40	+85	°C
Supply Voltage	V <sub>cc</sub>	-0.5	3.6	V
Operating Relative Humidity		-	95	%

\*Exceeding any one of these values may destroy the device immediately.

**Recommended Operating Conditions**

Parameter	Symbol		Min.	Typical	Max.	Unit
Operating Case Temperature	T <sub>c</sub>	Standard	0		+70	°C
Power Supply Voltage	V <sub>cc</sub>		3.15	3.3	3.45	V
Power Supply Current	I <sub>cc</sub> (0°C to 70°C)			350	455	mA
Date Rate	DR		0.6		11.3	Gbps

**Performance Specifications – Electrical**

Parameter	Symbol	Min.	Typ.	Max	Unit	Notes
<b>Transmitter</b>						
CML Inputs(Differential)	V <sub>in</sub>	250		1000	mVpp	AC coupled input <sup>+(note6)</sup>
Input Impedance (Differential)	Z <sub>in</sub>	85	100	115	ohm	R <sub>in</sub> > 100 kohm @ DC
TX_Dis	Disable	2		V <sub>cc</sub> +0.3	V	
	Enable	0		0.8		
TX_FAULT	Fault	2		V <sub>cc</sub> +0.3	V	
	Normal	0		0.5		
<b>Receiver</b>						
CML Outputs (Differential)	V <sub>out</sub>	350		700	mVpp	AC coupled output <sup>+(note6)</sup>
Output Impedance (Differential)	Z <sub>out</sub>	85	100	115	ohm	
RX_LOS	LOS	2		V <sub>cc</sub> +0.3	V	
	Normal	0		0.8	V	
MOD_DEF ( 0:2 )	VoH	2.5			V	With Serial ID
	VoL	0		0.5	V	

Performance Specifications – Optical

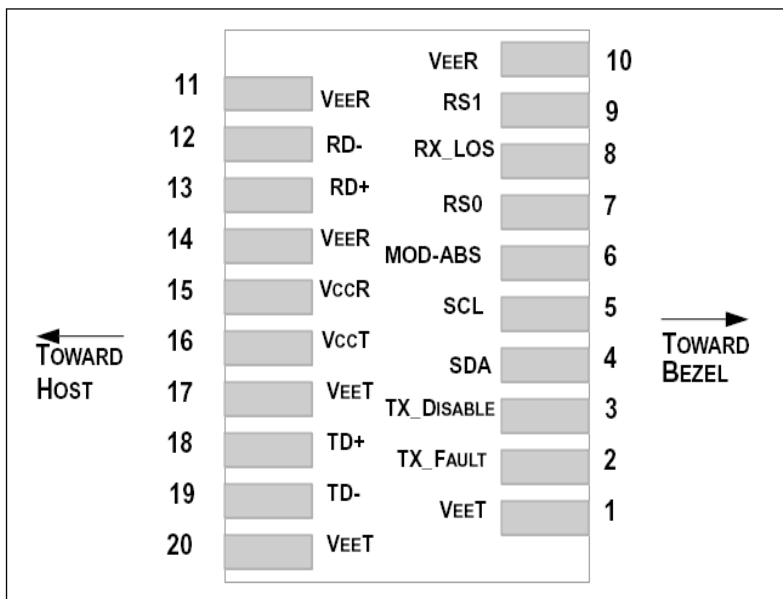
Parameter	Symbol	Min.	Typical	Max.	Unit
Data Rate		0.6		11.3	Gbps
<b>Transmitter</b>					
Center Wavelength Spacing			100		GHz
			0.8		nm
Side Mode Suppression Ratio	SMSR	30			dB
Average Output Power <sup>*(note4)</sup>	Pout	-2		3	dBm
Average Launch Power (Tx: OFF)	Poff			-30	dBm
Extinction Ratio	ER	3.5			dB
Transmitter Dispersion Penalty @800ps/nm	TDP			2	dB
P <sub>out</sub> @TX Disable Asserted	Pout			-45	dBm
Relative Intensity Noise	RIN			-128	dB/Hz
TX Jitter	TXj	Per 802.3ae requirements			
<b>Receiver</b>					
Receiver Sensitivity <sup>*(note5)</sup>	Pmin			-16	dBm
Receiver Overload	Pmax	0.5			dBm
LOS De-Assert	LOSD			-17	dBm
LOS Assert	LOSA	-29			dBm
LOS Hysteresis		1			dB

Note4: Output is coupled into a 9/125µm single-mode fiber.

Note5: Minimum average optical power measured at the BER less than 1E-12. The measure pattern is PRBS 2<sup>31</sup>-1.

Note6: CML logic, internally AC coupled.

SFP+ Transceiver Electrical Pad Layout



**Pin Function Definition**

Pin Num.	Name	FUNCTION	Plug Seq.	Notes
1	VeeT	Transmitter Ground	1	Note 5
2	TX Fault	Transmitter Fault Indication	3	Note 1
3	TX Disable	Transmitter Disable	3	Note 2, Module disables on high or open
4	SDA	Module Definition 2	3	Note 3, Data line for Serial ID.
5	SCL	Module Definition 1	3	Note 3, Clock line for Serial ID.
6	MOD-ABS	Module Definition 0	3	Note 3
7	RS0	RX Rate Select (LVTTTL).	3	Rate Select 0, optionally controls SFP+ module receiver. This pin is pulled low to VeeT with a >30K resistor
8	LOS	Loss of Signal	3	Note 4
9	RS1	TX Rate Select (LVTTTL).	1	Rate Select 1, optionally controls SFP+ module transmitter. This pin is pulled low to VeeT with a >30K resistor.
10	VeeR	Receiver Ground	1	Note 5
11	VeeR	Receiver Ground	1	Note 5
12	RD-	Inv. Received Data Out	3	Note 6
13	RD+	Received Data Out	3	Note 7
14	VeeR	Receiver Ground	1	Note 5
15	VccR	Receiver Power	2	3.3 ± 5%, Note 7
16	VccT	Transmitter Power	2	3.3 ± 5%, Note 7
17	VeeT	Transmitter Ground	1	Note 5
18	TD+	Transmit Data In	3	Note 8
19	TD-	Inv. Transmit Data In	3	Note 8
20	VeeT	Transmitter Ground	1	Note 5

**Notes:**

1) TX Fault is an open collector/drain output, which should be pulled up with a 4.7K – 10KΩ resistor on the host board. Pull up voltage between 2.0V and VccT, R+0.3V. When high, output indicates a laser fault of some kind. Low indicates normal operation. In the low state, the output will be pulled to < 0.8V.

2) TX disable is an input that is used to shut down the transmitter optical output. It is pulled up within the module with a 4.7 – 10 KΩ resistor. Its states are:

Low (0 – 0.8V): Transmitter on

(>0.8, < 2.0V): Undefined

High (2.0 – 3.465V): Transmitter Disabled

Open: Transmitter Disabled

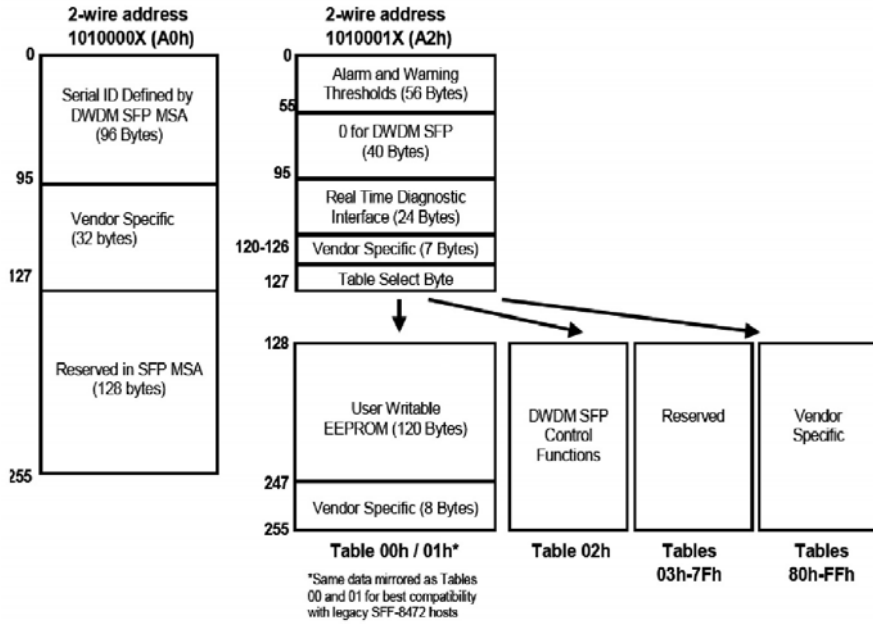
- 3) Module absent, connected to VEET or VEER in the module.
- 4) LOS (Loss of Signal) is an open collector/drain output, which should be pulled up with a 4.7K – 10KΩ resistor. Pull up voltage between 2.0V and VccT, R+0.3V. When high, this output indicates the received optical power is below the worst-case receiver sensitivity (as defined by the standard in use). Low indicates normal operation. In the low state, the output will be pulled to < 0.8V.
- 5) VeeR and VeeT may be internally connected within the SFP+ module.
- 6) RD-/+ : These are the differential receiver outputs. They are AC coupled 100Ω differential lines which should be terminated with 100Ω (differential) at the user SERDES. The AC coupling is done inside the module and is thus not required on the host board.
- 7) VccR and VccT are the receiver and transmitter power supplies. They are defined as 3.3V ±5% at the SFP+ connector pin. Maximum supply current is 300mA. Inductors with DC resistance of less than 1 ohm should be used in order to maintain the required voltage at the SFP+ input pin with 3.3V supply voltage. When the recommended supply-filtering network is used, hot plugging of the SFP+ transceiver module will result in an inrush current of no more than 30mA greater than the steady state value. VccR and VccT may be internally connected within the SFP+ transceiver module.
- 8) TD-/+ : These are the differential transmitter inputs. They are AC-coupled, differential lines with 100Ω differential termination inside the module. The AC coupling is done inside the module and is thus not required on the host board.

## EEPROM

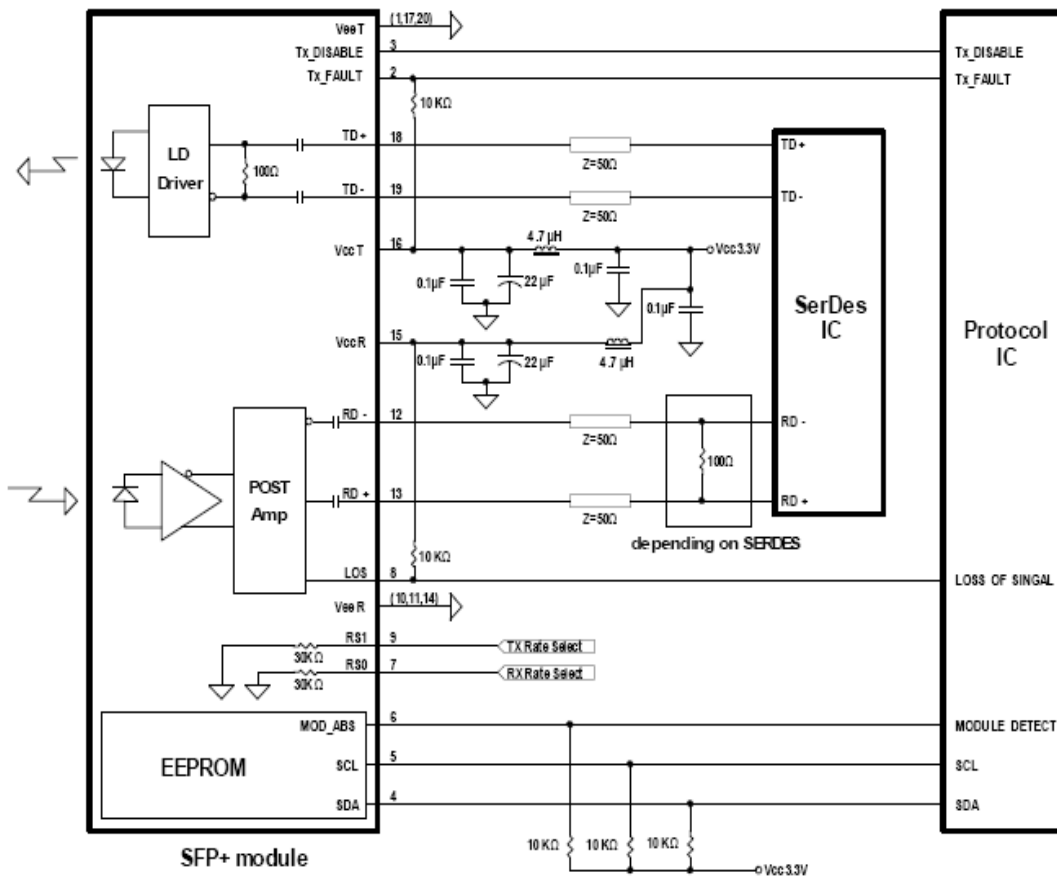
The optical transceiver contains an EEPROM. It provides access to sophisticated identification information that describes the transceiver's capabilities, standard interfaces, manufacturer, and other information.

The serial interface uses the 2-wire serial CMOS EEPROM protocol. When the serial protocol is activated, the host generates the serial clock signal (SCL, Mod Def 1). The positive edge clocks data into those segments of the EEPROM that are not writing protected within the SFP+ transceiver. The negative edge clocks data from the SFP+ transceiver. The serial data signal (SDA, Mod Def 2) is bi-directional for serial data transfer. The host uses SDA in conjunction with SCL to mark the start and end of serial protocol activation. The memories are organized as a series of 8-bit data words that can be addressed individually or sequentially.

The module provides diagnostic information about the present operating conditions. The transceiver generates this diagnostic data by digitization of internal analog signals. Alarm/warning threshold data is written during device manufacture. TEC current monitoring, laser temperature monitoring, received power monitoring, transmitted power monitoring, bias current monitoring, supply voltage monitoring and transceiver temperature monitoring all are implemented. The diagnostic data are internal calibration and stored in memory locations 96 – 109 at wire serial bus address A2h. The transceiver memory map specific data field defines as following.

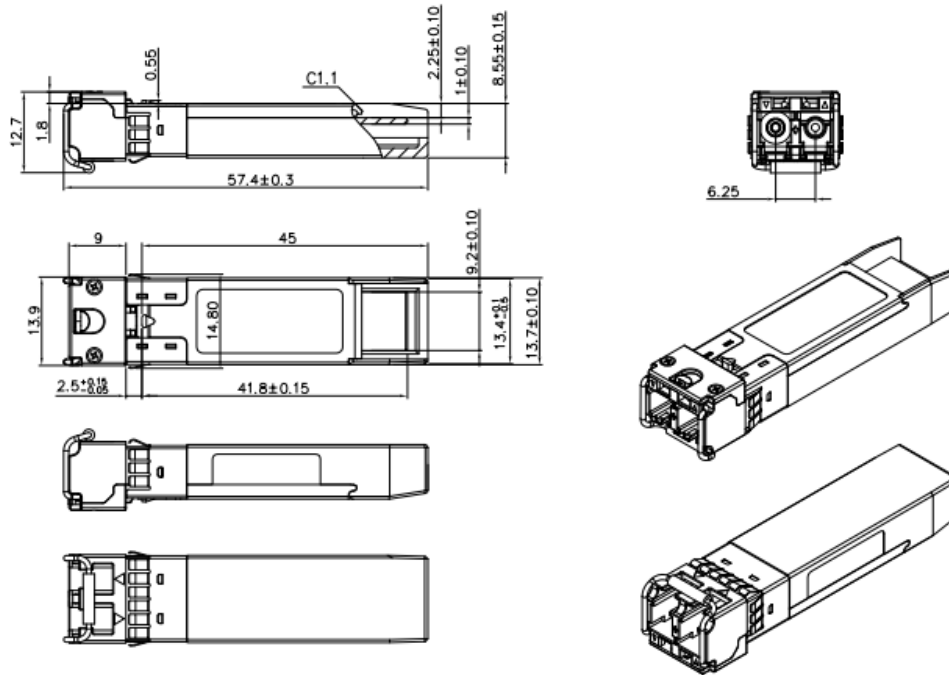


### Recommend Circuit Schematic





**Mechanical Specifications**



Unremarked tolerances  $\pm 0.2\text{mm}$

\*This 2D drawing only for reference, please check with Data Controls Inc. before ordering.

**Laser Emission**

