

RoHS Compliant
TX-1550/RX-1310 nm Single-mode Bi-directional (20dB margin)
SFP LC Simplex Connector, with Diagnostic Monitoring
1.0625Gbd Fiber Channel/1.25 Gigabit Ethernet



Features

- Compliant with IEEE802.3z Gigabit Ethernet Standard
- Compliant with Fiber Channel 100-SM-LC-L standard
- Multi rate 125Mbps to 1.25Gbps
- Industry standard small form pluggable (SFP) package
- Simplex LC connector
- Differential LVPECL inputs and outputs
- Single power supply 3.3V
- TTL signal detect indicator
- Hot Pluggable
- Class 1 laser product complies with EN 60825-1

Ordering Information

PART NUMBER	TX/RX	TEMPERATURE	LD Type	Distance
GB1550-SFP-LC.S40	1550/1310	0°C to 70°C	1550 DFB	40km
GB1550-SFP-LC.S40(WT)	1550/1310	-40°C to 85°C	1550 DFB	40km

Diagnostics

Parameter	Range	Accuracy	Unit	Calibration
Temperature	-20 to 95	± 3	°C	External
Voltage	0 to VCC	± 0.1	V	
Bias Current	0 to 120	± 5	mA	
TX Power	-6 to 5	± 3 dB	dBm	
RX Power	-23 to -3	± 3 dB	dBm	

RoHS Compliant
TX-1550/RX-1310 nm Single-mode Bi-directional (20dB margin)
SFP LC Simplex Connector, with Diagnostic Monitoring
1.0625Gbd Fiber Channel/1.25 Gigabit Ethernet

Absolute Maximum Ratings

PARAMETER	SYMBOL	MIN	MAX	UNITS	NOTE
Storage Temperature	T_S	-40	85	°C	
Supply Voltage	V_{CC}	-0.5	4.0	V	
Input Voltage	V_{IN}	-0.5	V_{CC}	V	
Output Current	I_o	---	50	mA	
Operating Current	I_{OP}	---	400	mA	

Recommended Operating Conditions

PARAMETER	SYMBOL	MIN	MAX	UNITS	NOTE
Case Operating Temperature	T_C	$\frac{0}{-40}$	$\frac{70}{85}$	°C	<u>GB1550-SFP-LC.S40</u> GB1550-SFP-LC.S40(WT)
Supply Voltage	V_{CC}	3.1	3.5	V	
Supply Current	$I_{TX} + I_{RX}$	---	300	mA	

RoHS Compliant
TX-1550/RX-1310 nm Single-mode Bi-directional (20dB margin)
SFP LC Simplex Connector, with Diagnostic Monitoring
1.0625Gbd Fiber Channel/1.25 Gigabit Ethernet

Transmitter Electro-optical Characteristics

$V_{CC} = 3.1\text{ V to }3.5\text{ V}$, $T_C = 0^\circ\text{ C to }70^\circ\text{ C}$ ($-40^\circ\text{ C to }85^\circ\text{ C}$)

PARAMETER	SYMBOL	MIN	TYP.	MAX	UNITS	NOTE
Output Optical Power 9/125 μm fiber	P_{out}	-3	---	+2	dBm	Average
Extinction Ratio	ER	9	---	---	dB	
Center Wavelength	λ_C	1530	1550	1570	nm	
Spectral Width (-20dB)	$\Delta\lambda$	---	---	1	nm	
Side Mode Suppression Ratio	$SMSR$	30	---	---	dB	
Rise/Fall Time, (20–80%)	$T_{r,f}$	---	---	260	ps	
Relative Intensity Noise	RIN	---	---	-120	dB/Hz	
Total Jitter	TJ	---	---	227	ps	
Output Eye		Compliant with IEEE802.3z				
Max. P_{out} TX-DISABLE Asserted	P_{OFF}	---	---	-45	dBm	
Differential Input Voltage	V_{DIFF}	0.4	---	2.0	V	
Transmit Fault Output-Low	TX_FAULT_L	0.0	---	0.5	V	
Transmit Fault Output-High	TX_FAULT_H	2.4	---	V_{CC}	V	
Time to initialize, include reset of TX_FAULT	t_{init}	---	---	300	ms	
TX_FAULT from fault to assertion	t_{fault}	---	---	100	μs	
TX_DISABLE time to start reset	t_{reset}	10	---	---	μs	

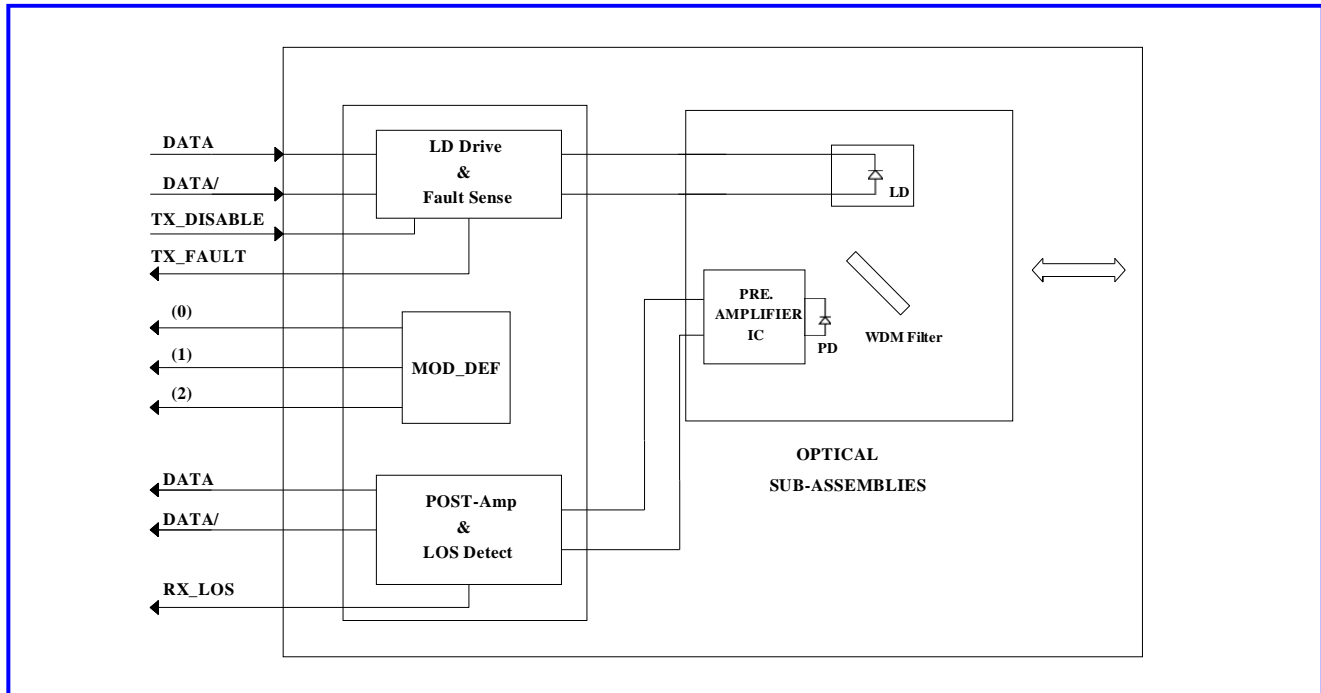
RoHS Compliant
TX-1550/RX-1310 nm Single-mode Bi-directional (20dB margin)
SFP LC Simplex Connector, with Diagnostic Monitoring
1.0625Gbd Fiber Channel/1.25 Gigabit Ethernet

Receiver Electro-optical Characteristics

$V_{CC} = 3.1\text{ V to }3.5\text{ V}$, $T_C = 0^\circ\text{ C to }70^\circ\text{ C}$ ($-40^\circ\text{ C to }85^\circ\text{ C}$)

PARAMETER	SYMBOL	MIN	TYP.	MAX	UNITS	NOTE
Optical Input Power-maximum	P_{IN}	-1	---	---	dBm	BER < 10^{-12}
RX Sensitivity @GbE	P_{IN}	---	---	-23	dBm	PRBS7, BER < 10^{-12}
RX Sensitivity @1x FC	P_{IN}	---	---	-23	dBm	PRBS7, BER < 10^{-12}
RX Sensitivity @OC-12	P_{IN}	---	---	-23	dBm	PRBS23, BER < 10^{-10}
RX Sensitivity @OC-3	P_{IN}	---	---	-23	dBm	PRBS23, BER < 10^{-10}
RX Sensitivity @125Mbps	P_{IN}	---	---	-23	dBm	PRBS7, BER < 10^{-10}
Operating Center Wavelength	λ_C	1260	---	1360	nm	
Optical Return Loss	ORL	14	---	---	dB	$\lambda=1260\sim1360\text{nm}$
Optical isolation	ISO	---	---	-45	dB	$\lambda=1480\sim1580\text{nm}$
Signal Detect-Asserted	P_A	---	---	-23	dBm	
Signal Detect-Deasserted	P_D	-35	---	---	dBm	
Differential Output Voltage	V_{DIFF}	0.5	---	1.2	V	
Data Output Rise, Fall Time (20~80%)	$T_{r,f}$	---	---	0.35	ns	
Receiver Loss of Signal Output Voltage-Low	RX_LOS_L	0	---	0.5	V	
Receiver Loss of Signal Output Voltage-High	RX_LOS_H	2.4	---	V_{CC}	V	

Block Diagram of Transceiver



Transmitter and Receiver Optical Sub-assembly Section

A 1550 nm InGaAsP laser and an InGaAs PIN photodiode integrate with an WDM filter to form a bi-directional single fiber optical subassembly (OSA). The laser of OSA is driven by a LD driver IC which converts differential input LVPECL logic signals into an analog laser driving current. And, The photodiode of OSA is connected to a circuit providing post-amplification quantization, and optical signal detection.

TX_FAULT

When sensing an improper power level in the laser driver, the SFP set this signal high and turns off the Laser. TX_FAULT can be reset with the TX_DISABLE line. The signal is in TTL level.

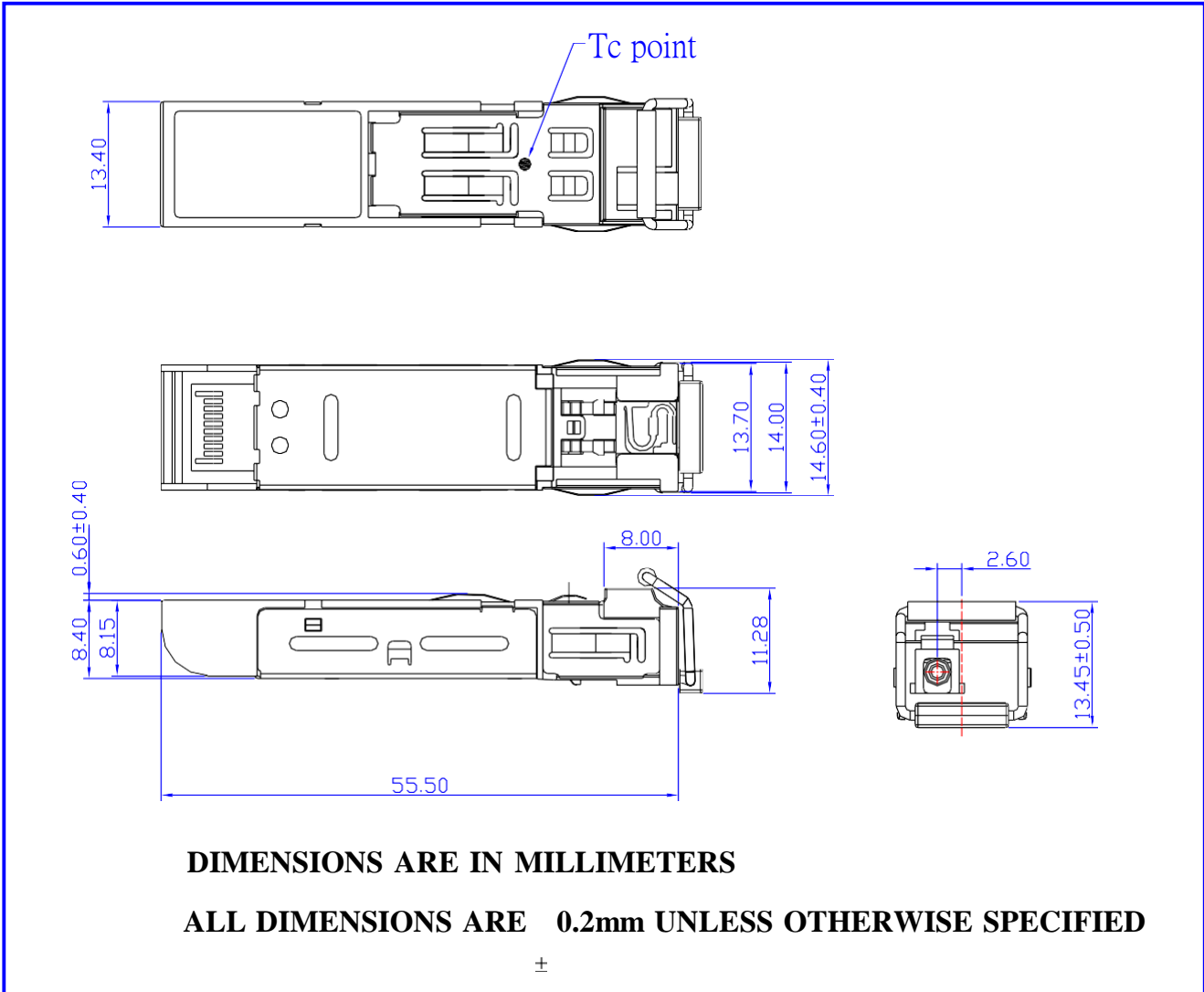
TX_DISABLE

The TX_DISABLE signal is high (TTL logic “1”) to turn off the laser output.

Receive Loss (RX_LOS)

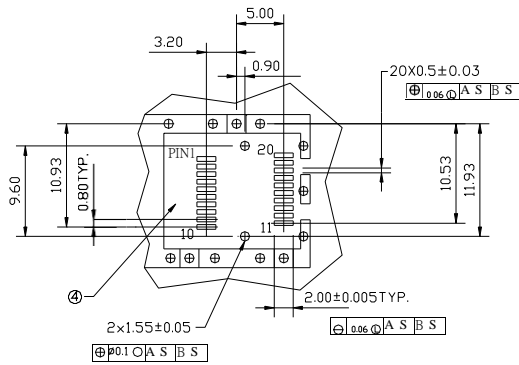
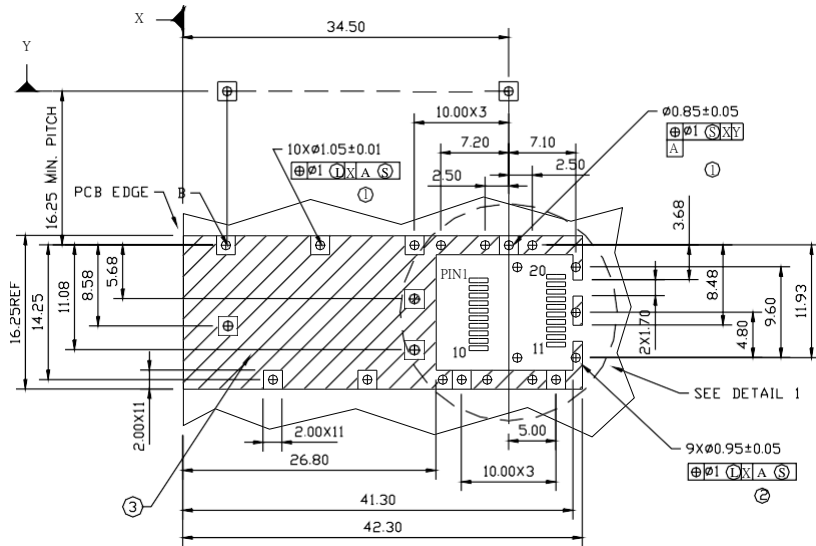
The RX_LOS is high (logic “1”) when there is no incoming light from the companion transceiver. This signal is normally used by the system for the diagnostic purpose. The signal is operated in TTL level.

Dimensions



RoHS Compliant
TX-1550/RX-1310 nm Single-mode Bi-directional (20dB margin)
SFP LC Simplex Connector, with Diagnostic Monitoring
1.0625Gbd Fiber Channel/1.25 Gigabit Ethernet

SFP host board mechanical layout



DETAIL 1

LEGEND

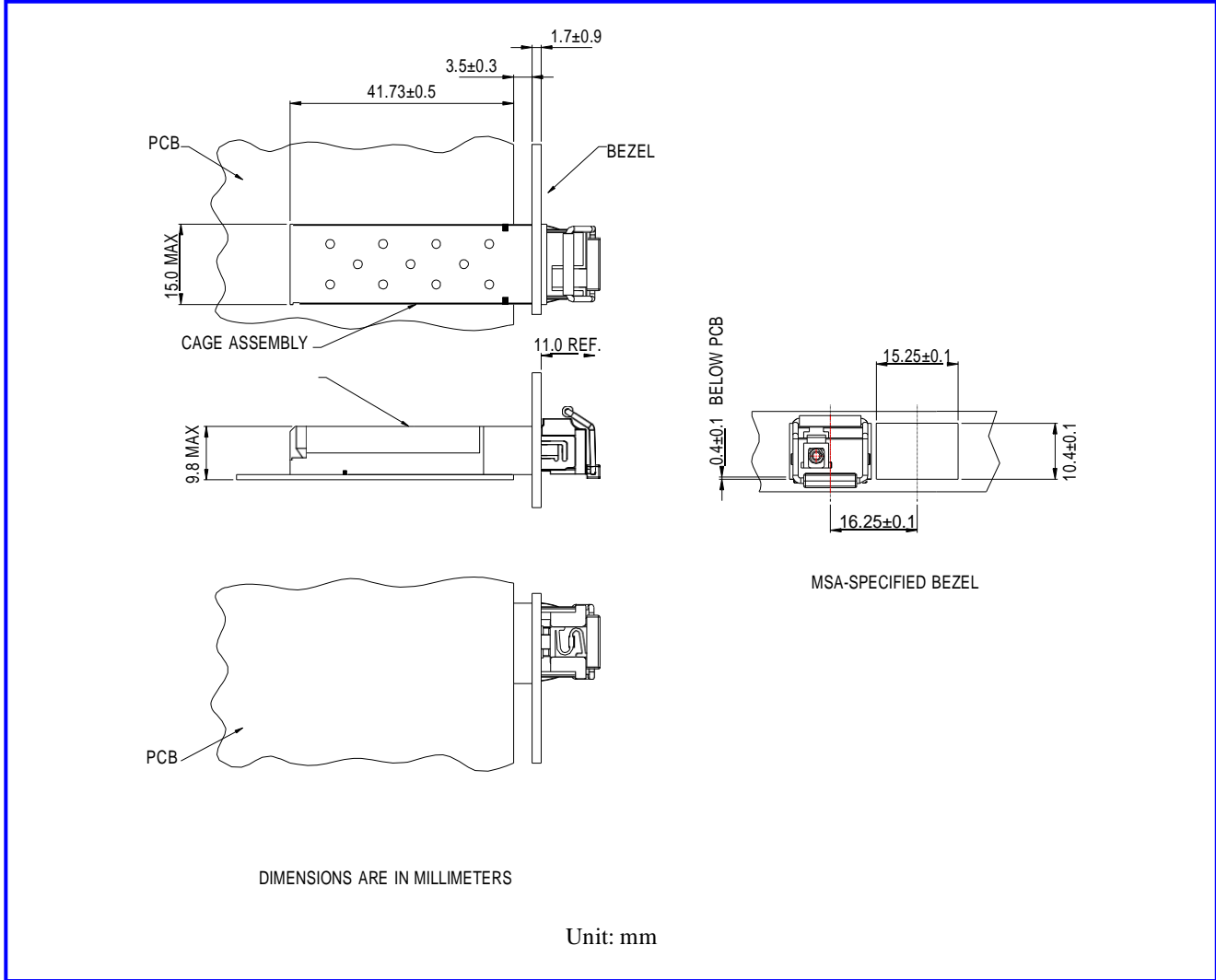
1. PADS AND VIAS ARE CHASSIS GROUND
2. THROUGH HOLES, PLATING OPTIONAL
3. HATCHED AREA DENOTES COMPONENT AND TRACE KEEPOUT (EXCEPT CHASSIS GROUND)
4. AREA DENOTES COMPONENT KEEPOUT (TRACES ALLOWED)

DIMENSIONS ARE IN MILLIMETERS

Unit: mm

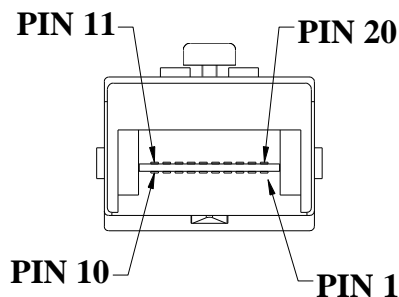
RoHS Compliant
TX-1550/RX-1310 nm Single-mode Bi-directional (20dB margin)
SFP LC Simplex Connector, with Diagnostic Monitoring
1.0625Gbd Fiber Channel/1.25 Gigabit Ethernet

Assembly drawing



Pin Assignment

Pin-Out



Pin	Signal Name	Description
1	T_{GND}	Transmit Ground
2	TX_FAULT	Transmit Fault
3	$TX_DISABLE$	Transmit Disable
4	$MOD_DEF (2)$	SDA Serial Data Signal
5	$MOD_DEF (1)$	SCL Serial Clock Signal
6	$MOD_DEF (0)$	TTL Low
7	$RATE_SELECT$	Open Circuit
8	RX_LOS	Receiver Loss of Signal, TTL High, open collector
9	R_{GND}	Receiver Ground
10	R_{GND}	Receiver Ground
11	R_{GND}	Receiver Ground
12	$RX-$	Receive Data Bar, Differential PECL, ac coupled
13	$RX+$	Receive Data, Differential PECL, ac coupled
14	R_{GND}	Receiver Ground
15	V_{CCR}	Receiver Power Supply
16	V_{CCT}	Transmitter Power Supply
17	T_{GND}	Transmitter Ground
18	$TX+$	Transmit Data, Differential PCEL, ac coupled
19	$TX-$	Transmit Data Bar, Differential PCEL, ac coupled
20	T_{GND}	Transmitter Ground

RoHS Compliant
TX-1550/RX-1310 nm Single-mode Bi-directional (20dB margin)
SFP LC Simplex Connector, with Diagnostic Monitoring
1.0625Gbd Fiber Channel/1.25 Gigabit Ethernet

Eye Safety Mark

The GB1550-SFP-LC.S40 singlemode transceiver is a class 1 laser product. It complies with EN 60825-1 and FDA 21 CFR 1040.10 and 1040.11. In order to meet laser safety requirements the transceiver shall be operated within the Absolute Maximum Ratings.

Caution

All adjustments have been done at the factory before the shipment of the devices. No maintenance and user serviceable part is required. Tampering with and modifying the performance of the device will result in voided product warranty.

Required Mark

**Class 1 Laser Product
Complies with
21 CFR 1040.10 and 1040.11**

Note : All information contained in this document is subject to change without notice.